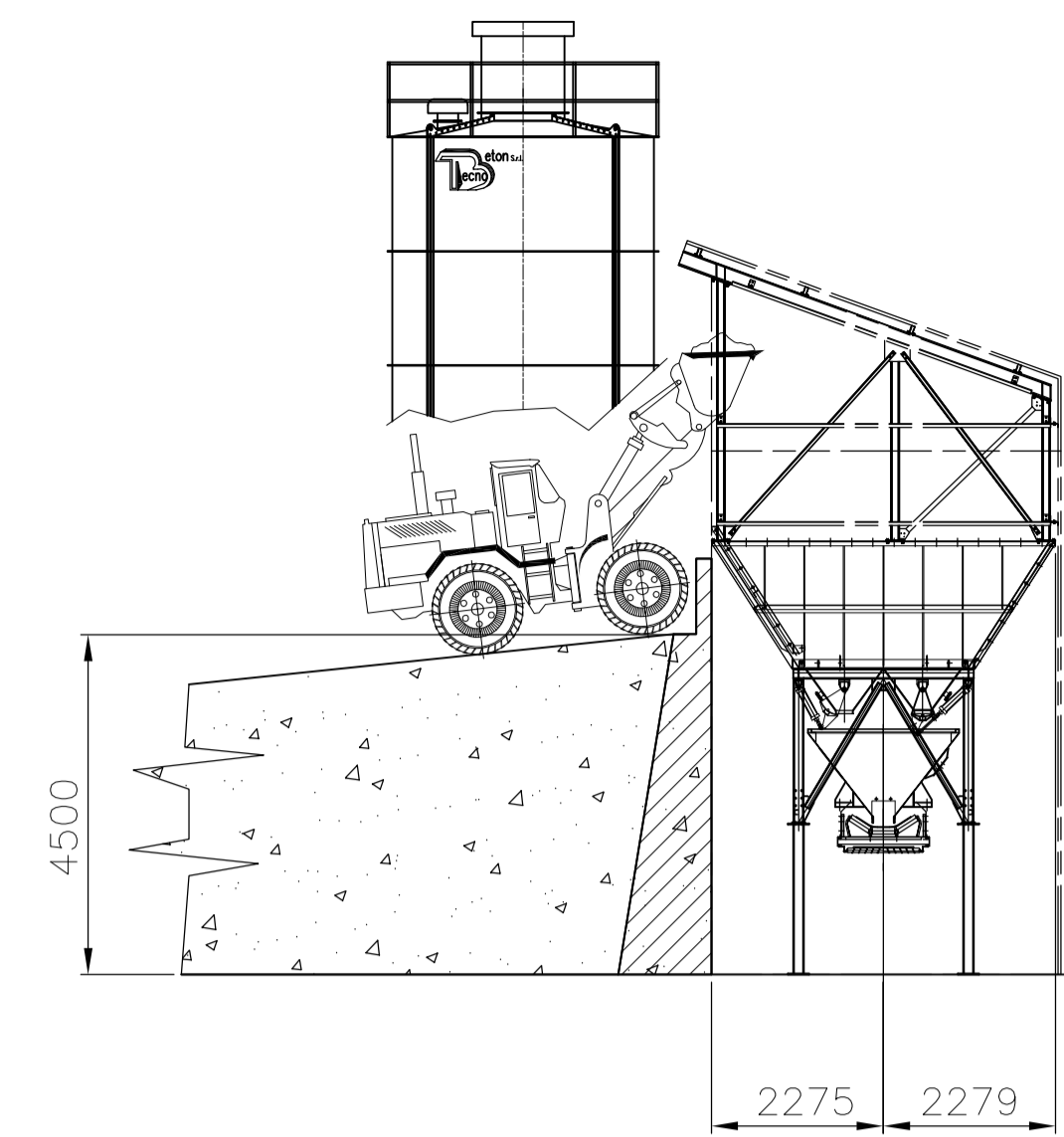
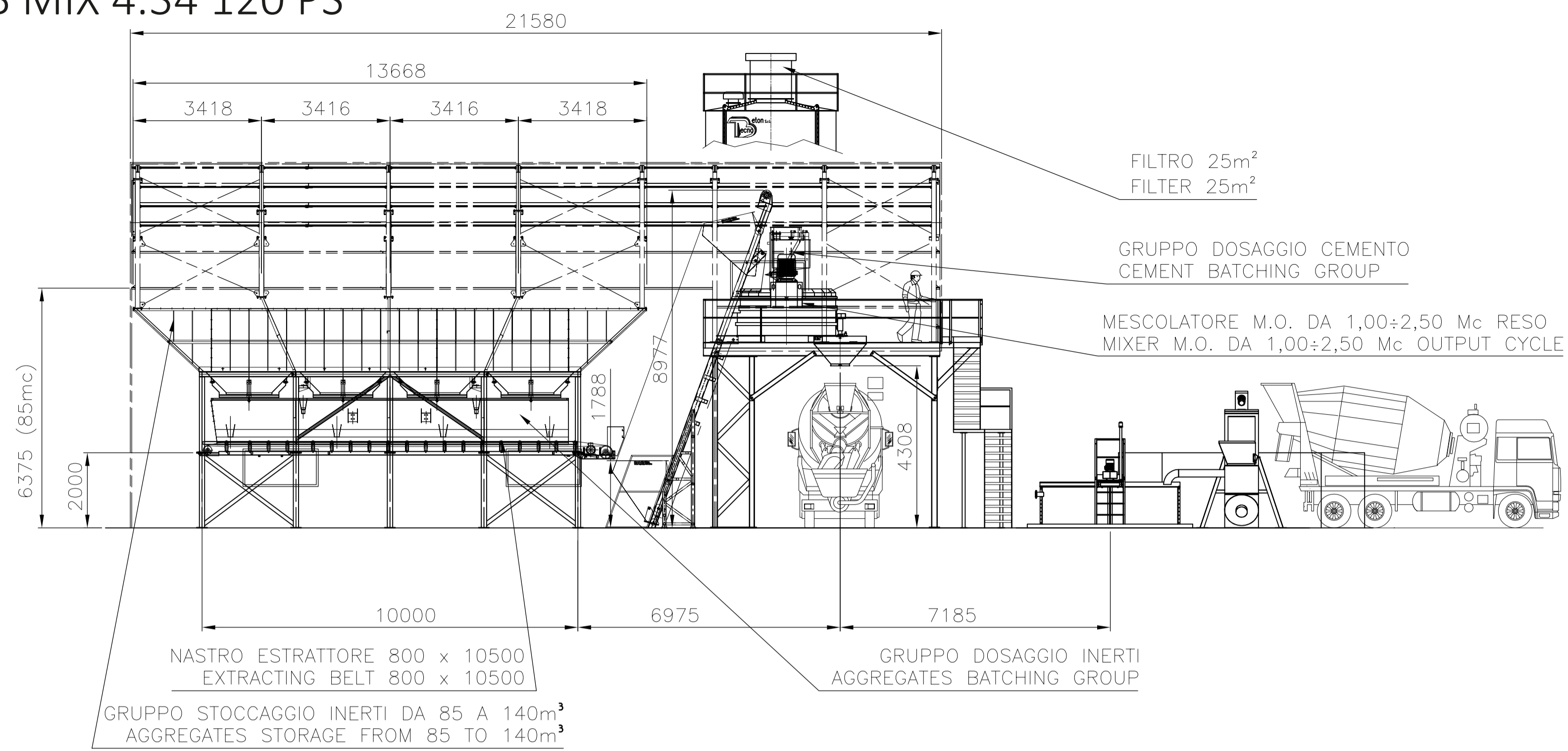
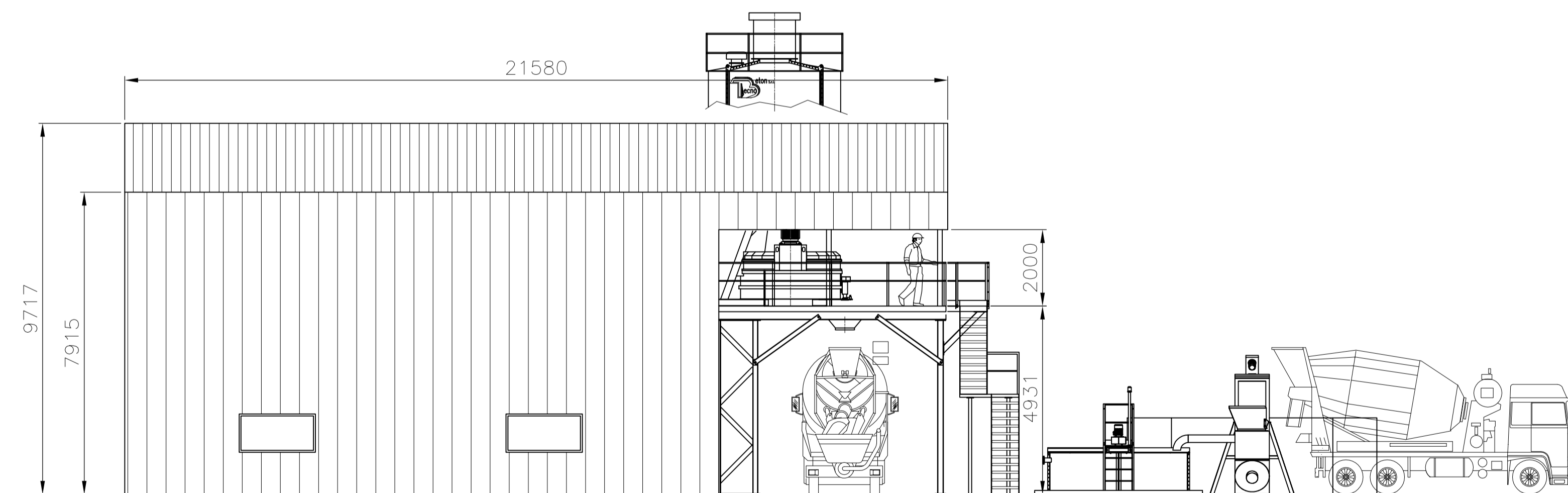
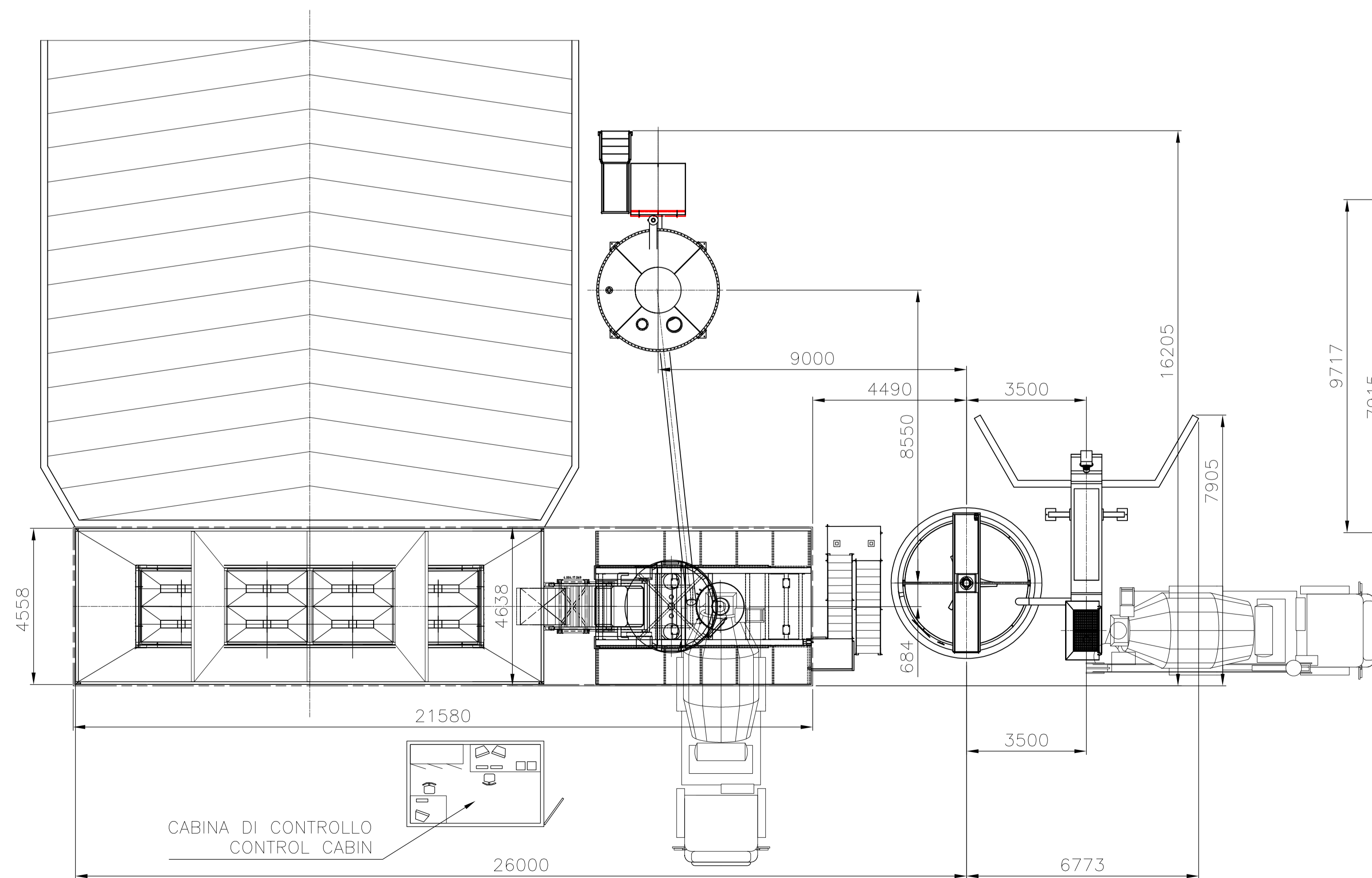
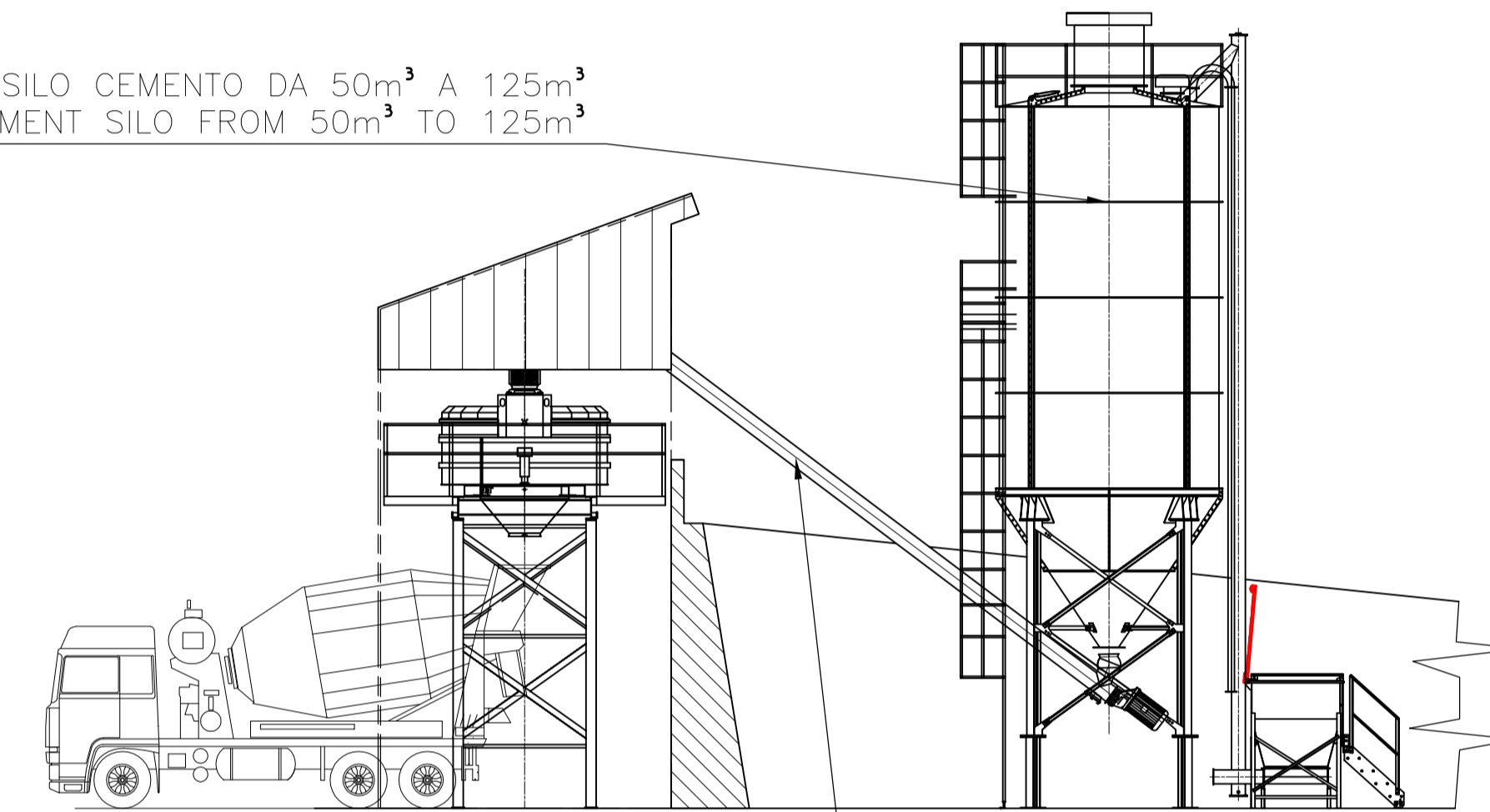


# TB MIX 4.34 120 PS



SILO CEMENTO DA 50m<sup>3</sup> A 125m<sup>3</sup>  
CEMENT SILO FROM 50m<sup>3</sup> TO 125m<sup>3</sup>



SEZIONE A-A

